

RIDING HEIGHT ADJUSTMENT

1992 Subaru SVX

1992 WHEEL ALIGNMENT
Subaru Ride Height Specifications

Justy, Legacy, Loyale, SVX

RIDING HEIGHT ADJUSTMENT

NOTE: On vehicles with electronic chassis controls, all systems should be functional before attempting riding height or wheel alignment adjustment.

Before adjusting alignment, check riding height. Riding height must be checked with vehicle on level floor and tires properly inflated. Bounce vehicle several times and allow suspension to settle.

Visually inspect vehicle for signs of abnormal height from front to rear or side to side. Check passenger and luggage compartments for extra heavy items and remove if present. If riding height is not within specifications listed, check, repair or replace suspension components.

NOTE: For vehicles not listed, riding height between front and rear, left and right sides of vehicle should vary less than .4" (10 mm).

Justy

Measure front ride height (ground clearance) between transverse link mounting bolt and ground. See Fig. 1. Measure rear ride height (ground clearance) between ground and bottom of rear trailing link front bushing. Adjust to specifications. See RIDE HEIGHT SPECIFICATIONS table.

Legacy & SVX

Measure front and rear ride height from horizontal center line of wheel axle shaft to bottom line of body/fender wheel opening (directly above vertical center line of axle shaft). Adjust to specifications. See RIDE HEIGHT SPECIFICATIONS table.

Loyale

Measure front ride height (ground clearance) between transverse link front mounting bolt and ground. Measure rear ride height (ground clearance) between ground and bottom, outer end of rear crossmember pipe (below point where outer arm bolts to rear crossmember pipe). See Fig. 2. Adjust to specifications. See RIDE HEIGHT SPECIFICATIONS table.

RIDE HEIGHT SPECIFICATIONS TABLE

Application	Front In. (mm)	Rear In. (mm)
Justy		
2WD & 4WD	9.4-10.6	10.6-11.8
2WD	(240-270)	(270-300)
Legacy 2WD		
Sedan		
Coil Suspension	14.7-15.5	13.5-14.3
Coil Suspension	(373-393)	(344-364)
Air Suspension	14.9-15.3	14.1-14.9
Suspension	(379-389)	(359-379)
Wagon	14.7-15.5	14.1-14.9

Wagon	(373-393)	(359-379)
Legacy 4WD			
Sedan			
Coil Suspension	15.1-15.9	13.9-14.7
Coil Suspension	(383-403)	(354-373)
Air Suspension	14.9-15.3	14.1-14.9
Suspension	(379-389)	(359-379)
Wagon	14.7-15.5	14.5-15.3
Wagon	(373-393)	(369-389)
Loyale 2WD			
Sedan	8.4-9.8	7.8-8.9
Door	(214-248)	(197-227)
Wagon	8.7-10.0	8.5-9.7
Wagon	(220-254)	(217-247)
Loyale 4WD			
Sedan	9.6-10.9	9.6-10.8
Door	(244-278)	(244-275)
Wagon	9.8-11.1	10.6-11.4
Wagon	(248-282)	(269-289)
SVX	14.2-15.4	12.4-13.2
.....	(360-390)	(315-335)

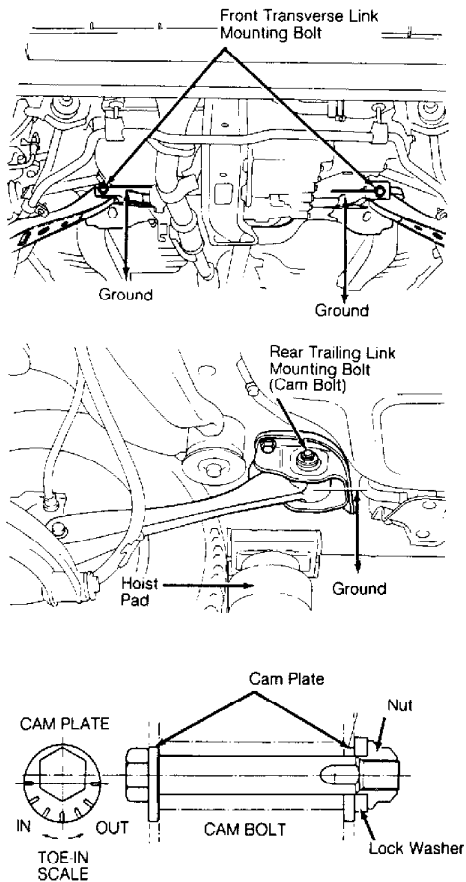


Fig. 1: Measuring Ride Height (Ground Clearance) & Adjusting Rear Toe-In (Justy)
 Courtesy of Subaru of America, Inc.

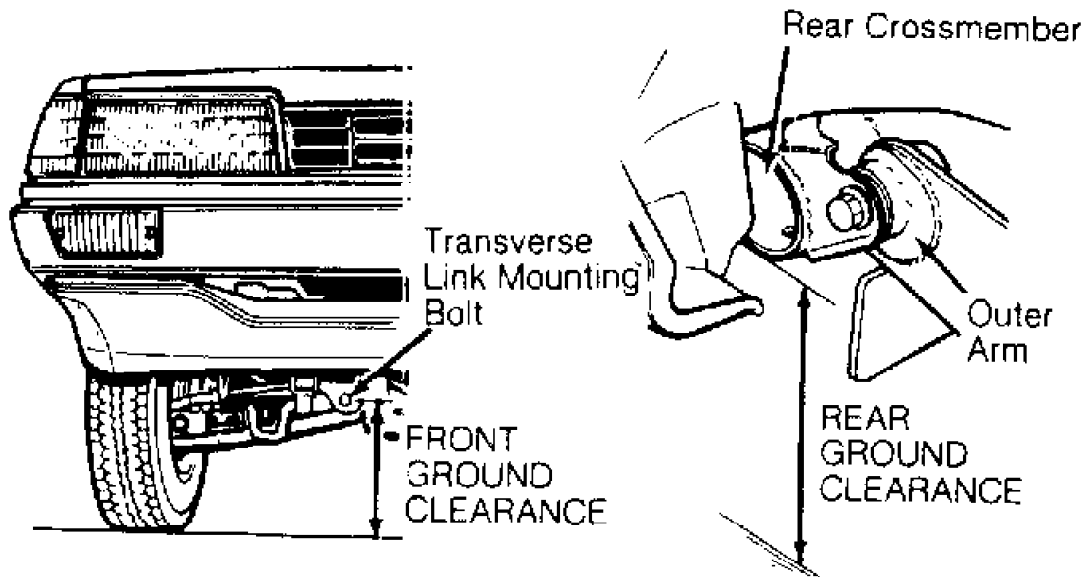


Fig. 2: Measuring Riding Height (Ground Clearance) (Loyale)
Courtesy of Subaru of America, Inc.